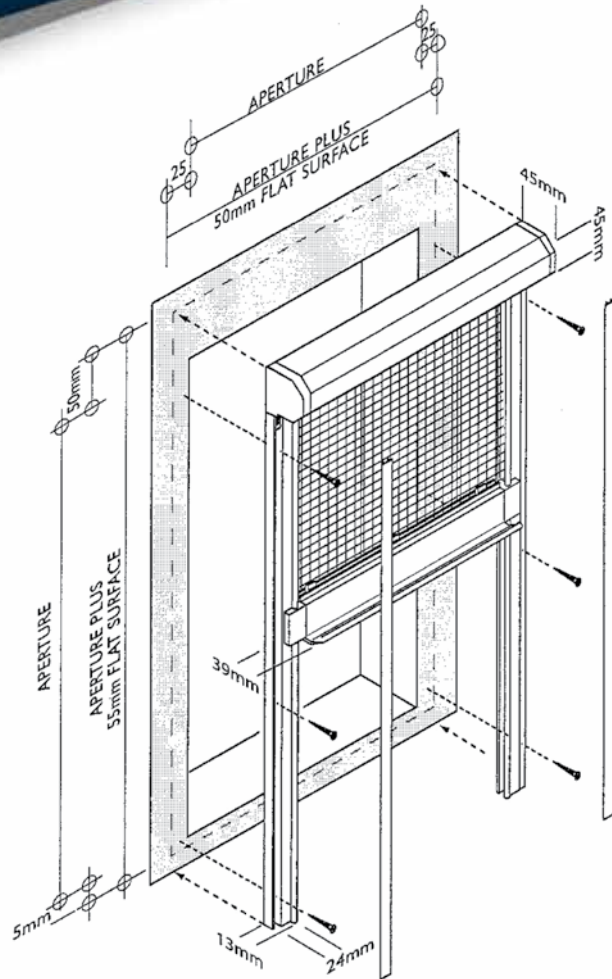


## RETRACTABLE INSECT WINDOW SCREEN



### MEASURING UP FOR RETRACTABLE INSECT WINDOW SCREEN

The width of the cassette is the critical measurement as this can't be amended once the screen has been manufactured.

Firstly measure the width of the window aperture\*. Add 25mm on each side so the tracks can be fitted. Please ensure there is sufficient space to add 25mm each side.

For example for a window with an aperture\* of 1000mm (add 25mm to each side), the final measurement will be 1050mm. (This is always dependent on space being available).

Then measure the height (drop), from the top down to the sill or bottom of the window

- Aperture – refers to the door opening, the area which allows light into the room